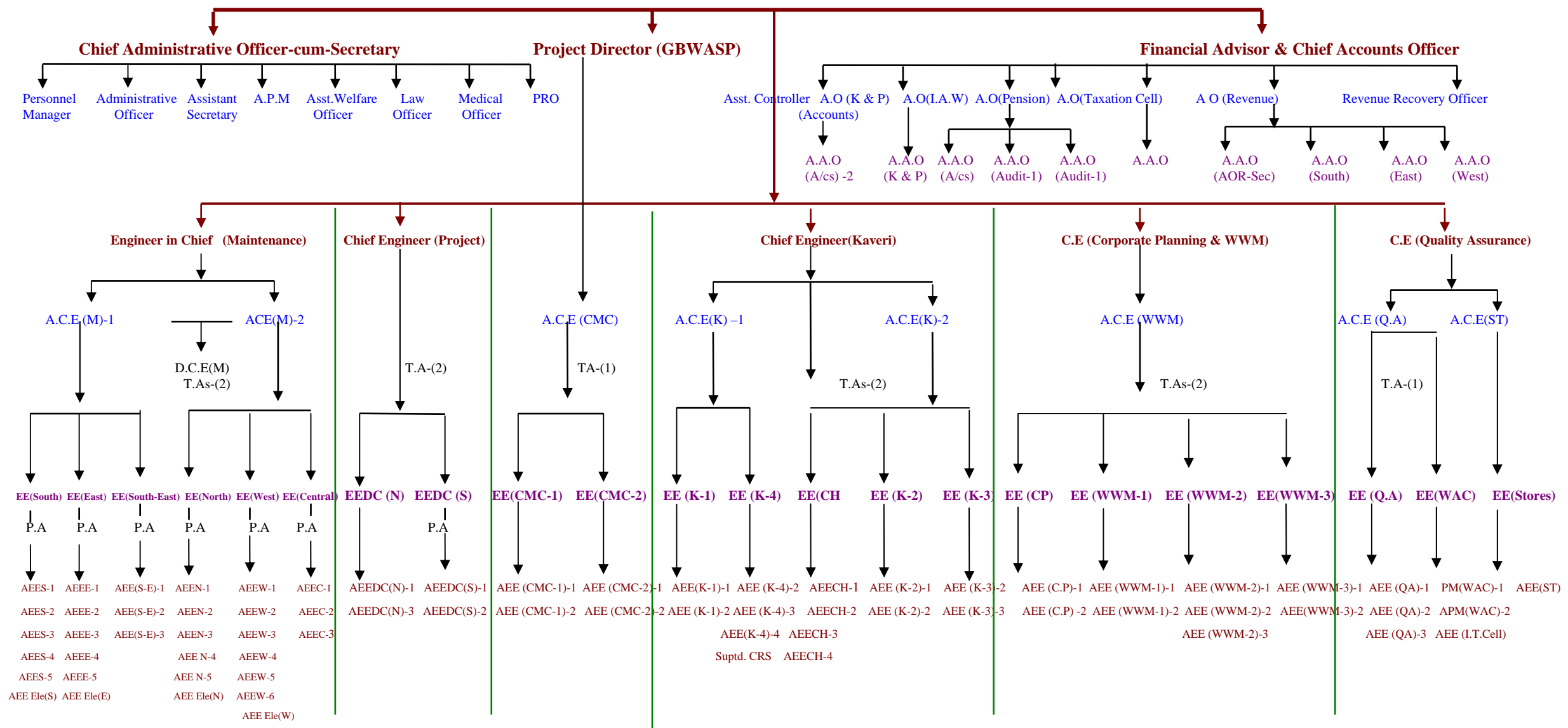




# ORGANISATION CHART OF BANGALORE WATER SUPPLY & SEWERAGE BOARD

**CHAIRMAN  
BOARD MEMBERS (7)**



|  |
|--|
| <p style="text-align: center;">The particulars of its organization, functions and duties</p> |
|--|

#### Introduction

Bangalore is one of the fastest growing cities in India. According to 2001 census, the population of Bangalore City was 6.0 million in the Bangalore Metropolitan area. Now with the formation of Bruhat Bangalore, the total area of Bruhat Bangalore is over 800 sq. km. and the population of Bruhat Bangalore may be more than 8 million at present.

Presently, the total quantity of water available from all sources under normal conditions is 995 MLD against 882 MLD which was received during 200405. The per capita water supply at present is about 100 to 110 liters per capita day (LPCD) after deducting supplies to major industries and losses in the distribution system. This is far below the national standard recommended by CPHEEO, which is 150 LPCD for a city of the size of Bangalore. Even the present supply of 100110 LPCD will dwindle unless further augmentation schemes are taken up. Thus there is an urgent need for augmenting the existing water supply system of Bangalore city.

#### Main objectives & functions

Bangalore Water Supply & Sewerage Board (BWSSB) is responsible for supplying water, sewerage system and sewerage disposal in the Bangalore Metropolitan Area. BWSSB has implemented and commissioned the Cauvery Water Supply Scheme Stages I, II, III and IV Phase I with an aggregate supply of 864.22 MLD of treated water in addition to 17.78 MLD water supply from Arkavathy sources. Out of this 882 MLD is received everyday in the city from both sources. The main objectives of the board are delineated below.

- Supply of water and providing sewerage system to the existing and newly developing areas of Bruhat Bangalore and facilitating adequate infrastructure facilities for the disposal of waste water.
- Preparation and implementation of new water supply schemes and programmes to meet the growing demand for water in Bangalore city.

- Preparation and implementation of schemes and programmes for providing infrastructure facilities to facilitate systematic supply of water to Bruhat Bangalore and disposal of wastewater.
- Remodeling the distribution system to supply the available water equitably.
- Mobilizing the finances needed for launching new schemes.
- Improvement to the existing sewerage system.
- Revenue collections for the water supply, sewerage and wastewater disposal system.